

TREE M-5TX IP67 Lite managed Switch 5 Ports

5x10/100BT IP67

5 port managed switch

Supply PIN 1/3

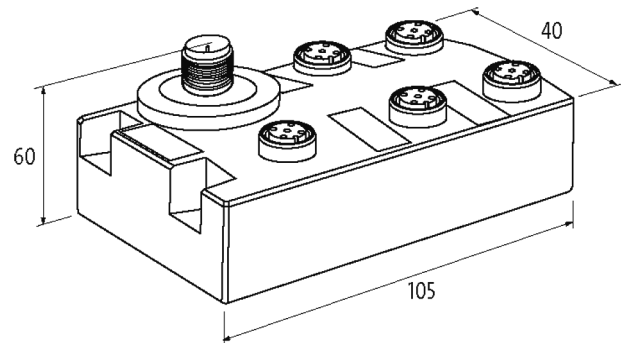
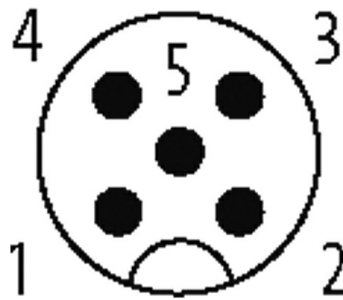
Connection cables are in the online shop under "Connection Technology".

Illustration

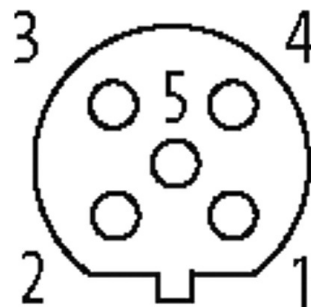
stay connected



Male



Female



Product may differ from Image

Connections

Fieldbus	5 × M12 (female), D-coded
----------	---------------------------

Supply	1 × M12 (male), A-coded
--------	-------------------------

General data

Protection	IP67
------------	------

Housing	Black plastic
---------	---------------

Mounting method	3 hole screw mounting
-----------------	-----------------------

Temperature range	0...+60 °C (storage temperature -40...+85 °C)
-------------------	---

Dimensions H×W×D	105×60×40 mm
------------------	--------------

Technical Data

Operating voltage	9.5...31.5 V
-------------------	--------------

Transfer rate	10/100 Mbit/s full duplex
---------------	---------------------------

Operating modes	Autocrossing Autonegotiation
-----------------	------------------------------

Switch Management

Switch Form	Lite - Managed Switch
-------------	-----------------------

Webserver	HTTP, HTTPS
-----------	-------------

VLAN (QoS) IEEE 802.p	yes
-----------------------	-----

Port Mirroring	yes
----------------	-----

Protocols	DHCP, SNMP (v1, v2c, v3), RSTP, STP, LLDP, NTP, RMON, SSH (CLI)
-----------	---

Remote maintenance	Open VPN
--------------------	----------

Alarm contact	no
---------------	----

Diagnostic

Communication status	via LED, LLDP
----------------------	---------------

Monitoring - no voltage	yes
-------------------------	-----

Commercial data

country of origin	DE
-------------------	----

customs tariff number	85176200
-----------------------	----------

EAN	4048879718301
-----	---------------

eClass	19170106
--------	----------

Packaging unit	1
----------------	---